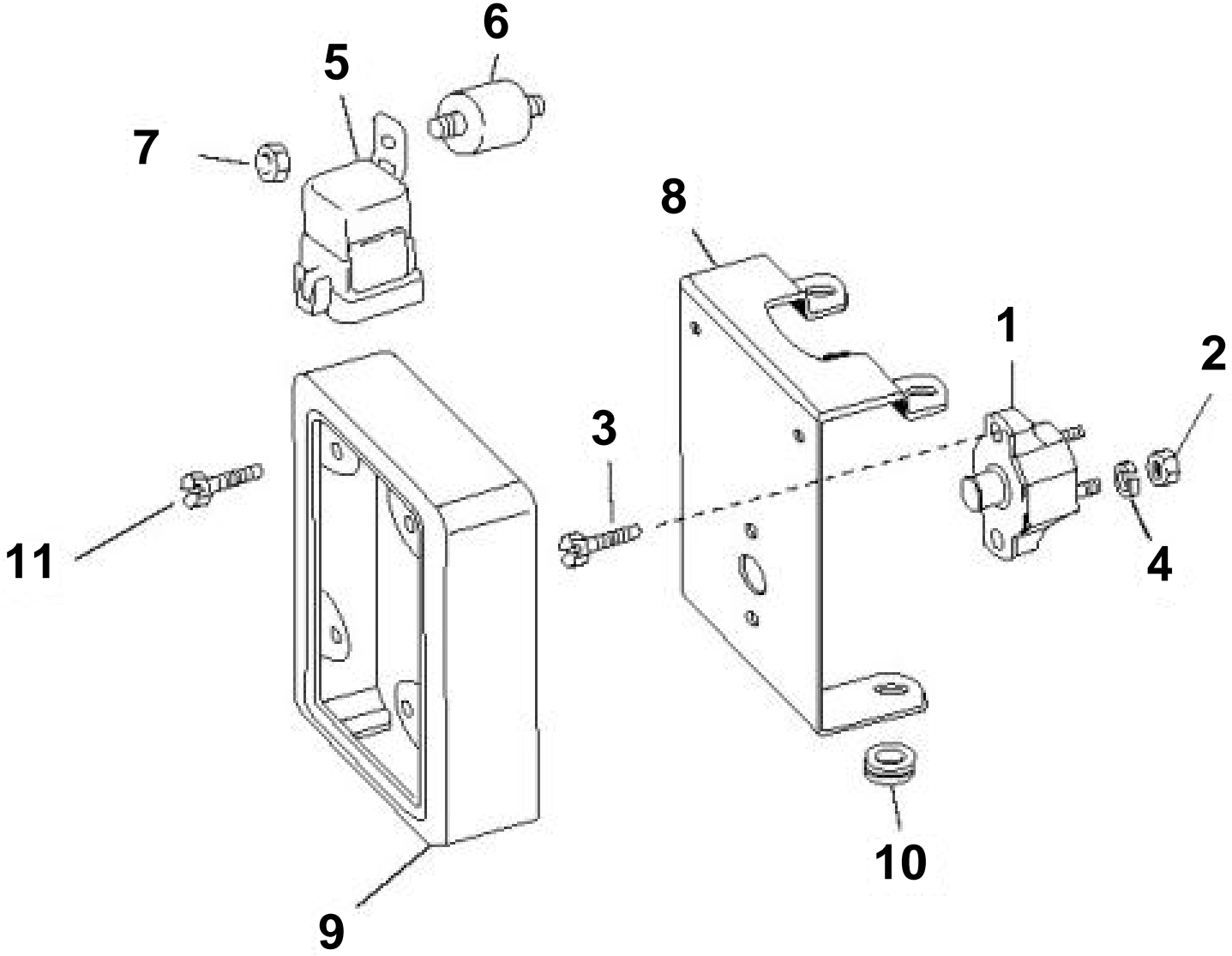


**ENGINE WIRE HARNESS BRACKET**



# ENGINE WIRE HARNESS BRACKET

REF	PART NO.	QTY	DESCRIPTION	NOTES
1	3854164	1	Fuse, 50A	Main pump; trim pump
2	3852064	2	Nut, Circuit breaker terminals	
3	3853620	2	Screw, Circuit breaker to bracket	
4	3852001	2	Lock washer, Circuit breaker terminals	
5	3854138	1	Relay, Starter motor	
6	3850234	1	Isolation, Relay mounting	
7	3852118	1	Nut, Relay to isolator	
8	3860368	1	Bracket, Circuit breaker & engine cable	
9	3860369	1	Cap, Circuit breaker bracket	
10	941263	2	Grommet, Circuit breaker bracket	
11	3860524	4	Locking pin, Circuit breaker cover to bracket	